

Line laser, red, 650 nm, 10 °, 5 mW

LB650-5-3(22x120)10DEG-AP-F1000
Order Number: 70135084

Main Parameters (*)	min	typ	max	Unit
Wavelength		650		nm
Optical Output Power		5		mW
Operating Voltage	2.7	3	3.3	V DC
Operating Current	10	20	30	mA
Operating Temperature	-20		50	°C
Storage Temperature	-40		80	°C

Main Data

Warranty 1 years

Technical Parameters

Lifetime > 10,000 h
RoHS yes

Optical Parameters

Beam Shape	Line
Laser Class	2M
Divergence	B - 0.3 mrad
Fan Angle	10 °
Line Thickness	<1mm@1m
Operating Distance	1 m
Optics	glass lens AR coated
Laser technology	Single Mode Diode
Axial Divergence	± 1 °
Focus	fixed (1000mm)

Electrical Parameters

Potential of Housing VDD(+)

Mechanical Parameters

Size	Ø22x120 mm
Material	aluminium
Output Aperture	3.5 mm
Housing Color	black
Weight	94.6 g

(*) Over the complete operating temperature range

Features

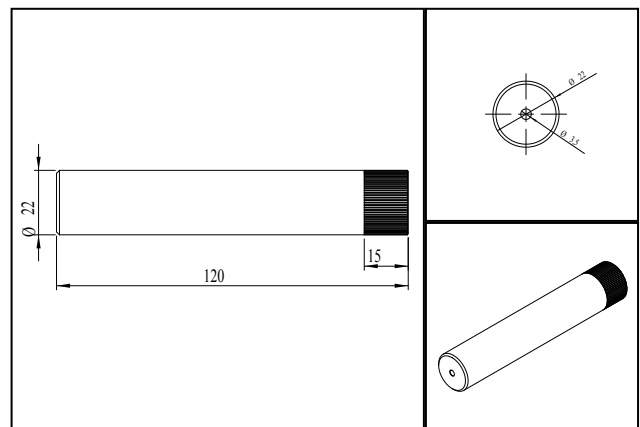


- Operating Voltage 3 V DC
- Laser Class 2M
- Fixed focus
- Low power consumption
- With battery

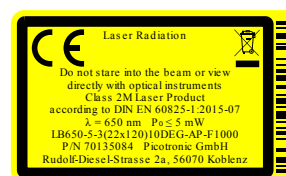
Picture



Drawing



Safety Label



Valid Revision

| 11-MAR-2022